

# NetWay5BTX

5-port Hardened 802.3bt 4PPoE Switch with Power Supply/Charger



Altronix NetWay5BTX powered hardened 4PPoE switch provides a network data uplink and four (4) IEEE802.3af/3at/3bt PoE ports rated at 90W each, with 240W total power. It can power IP devices, such as PoE access controllers and cameras. Other applications may include integrating network door access systems with video surveillance.

**For managed switch see model NetWay5BTQX.**



NetWay5BTX

## Key Features

- Four (4) IEEE802.3af/3at/3bt PoE ports rated at 90W each
- IEEE802.3af/3at/3bt compliant
- 240W total power
- Built-in charger for sealed lead acid or gel or LiFePO<sub>4</sub> (lithium iron phosphate) type batteries
- Automatic switch over to stand-by battery when AC fails
- PoE activity LED indicators
- NEMA1 rated Indoor enclosure
- CE European Conformity
- Lifetime Warranty

## Similar products

<b>NetWay5BTWPX</b>	Outdoor 5-port PoE+ Hardened Switch in NEMA 4/4X, IP66-11 enclosure which accommodates stand-by batteries
<b>NetWay5BTWP</b>	Outdoor 5-port PoE+ Hardened Switch in NEMA 4/4X, IP66-11 enclosure
<b>NetWay5BTWPN</b>	Outdoor 5-port PoE+ Hardened Switch only in NEMA 4/4X, IP66-11 enclosure
<b>NetWay5BTPL</b>	5-port PoE+ Hardened Switch on a backplane
<b>NetWay5BT</b>	5-port PoE+ Hardened Switch (board only)

### Lifetime Warranty

# NetWay5BTX

5-port Hardened 802.3bt 4PPoE Switch with Power Supply/Charger



## Specifications

### Input

Voltage 115VAC, 60Hz, 1.8A or 230VAC, 50/60Hz, 1A  
 Input Fuse 5A/250V

### Power Output

Maximum Power Four (4) 1IEEE802.3af/3at/3bt PoE ports rated at 90W each IEEE802.3af/3at/3bt compliant 240W total power  
 Uplink Port Integral surge protection Single data port

### Ethernet Ports

Five (5) 10/100/1000 Mbps ports  
 Connectivity: RJ45, auto-crossover  
 Wire type: 4-pair CAT5e or higher structured cable  
 Distance: up to 100m  
 Speed: 10/100/1000 Mbps, half/full duplex, auto negotiation

### Battery Charging

Type 24VDC charging circuit charges LiFePO<sub>4</sub> (Lithium Iron Phosphate) or sealed lead acid or gel type batteries (require separate ventilated enclosure)  
 Failover Upon AC loss, instantaneous  
 Batteries are sold separately

### Indicators (LED)

Individual PoE On LEDs for each port  
 Individual IP Link status, 10/100Base-T/active LEDs for each port

### Agency Listings

CE European Conformity

### Physical and Environmental

#### Dimensions (H x W x D)

Enclosure: 13.5" x 13" x 3.25"  
 (342.9mm x 330.2mm x 82.6mm)  
 Shipping: 15" x 13.875" x 4.75"  
 (381mm x 352.4mm x 120.6mm)

#### Weight (approx.)

Product: 6.65 lb. (3.02 kg)  
 Shipping: 7.55 lb. (3.42 kg)

#### Temperature

Operating:  
 240W: -30°C to 55°C (-22°F to 131°F)  
 180W: -30°C to 65°C (-22°F to 149°F)  
 150W: -30°C to 75°C (-22°F to 167°F)  
 Storage: -40°C to 85°C (-40°F to 185°F)

#### Relative Humidity

85% +/- 5%

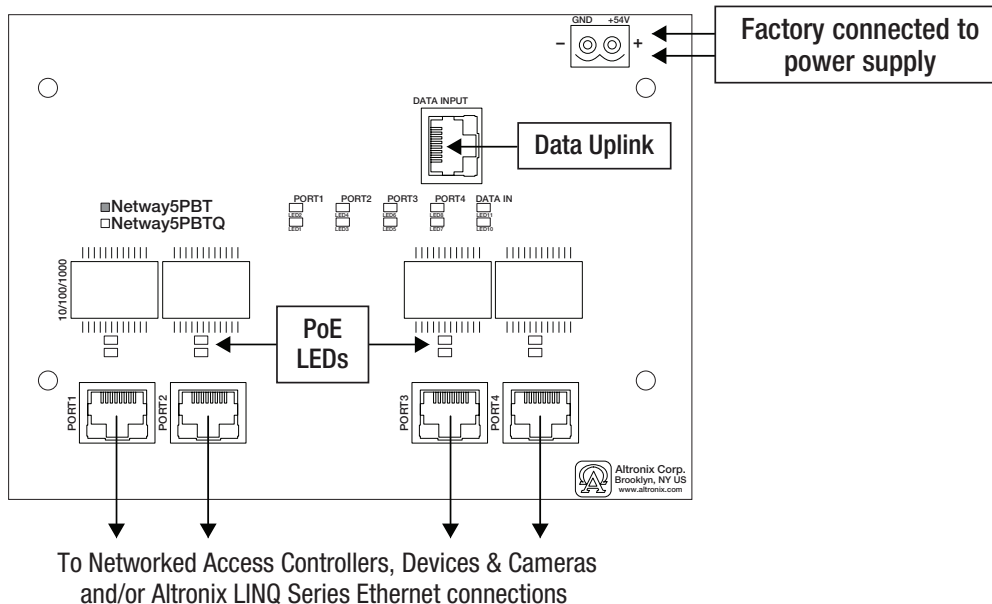
#### BTU/Hr (approx.)

123 BTU/Hr.

#### Operating Altitude:

-304.8 to 2,000m

## Typical Application



### Lifetime Warranty

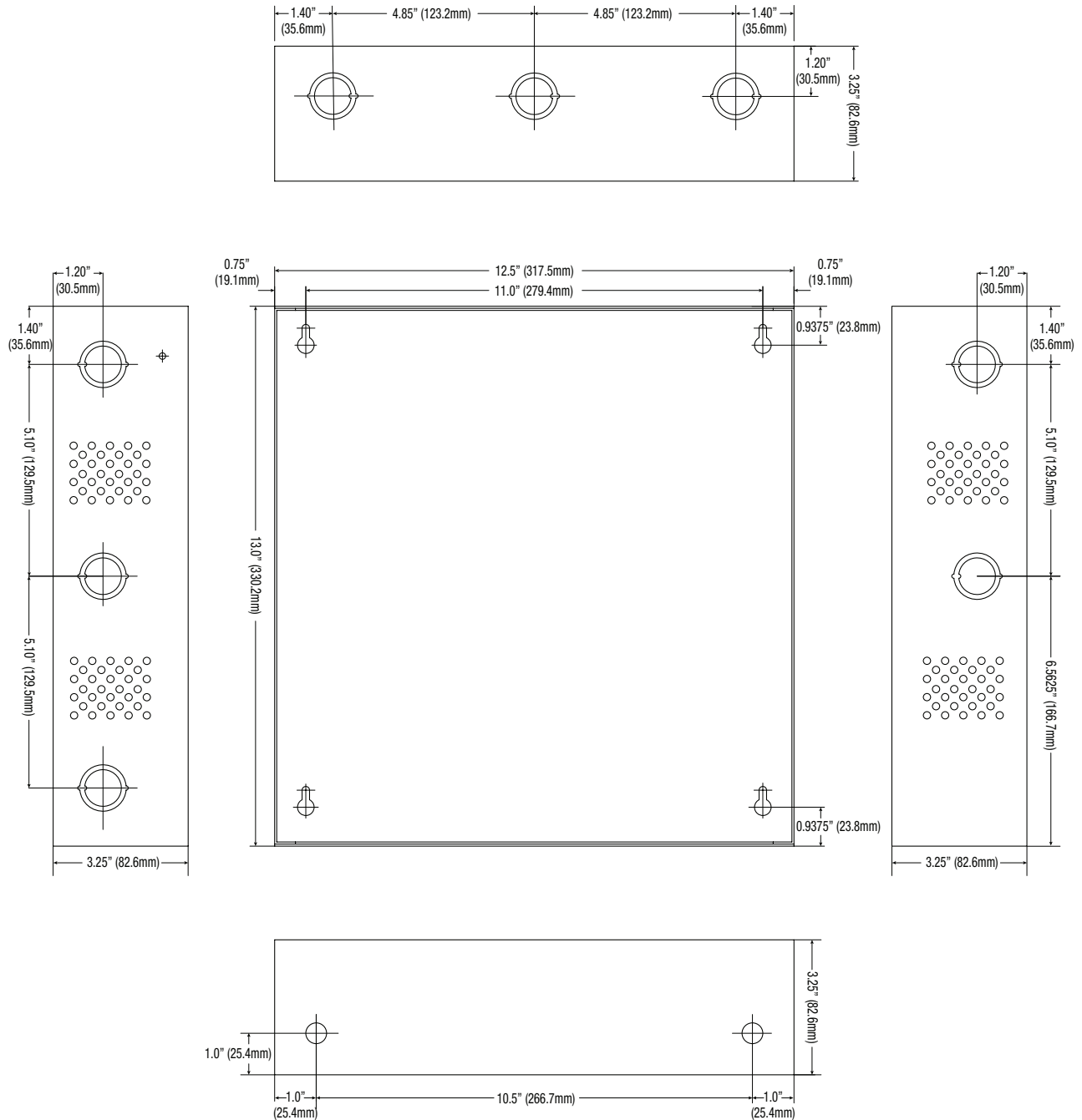
Altronix Corporation | 140 58th St | Brooklyn, NY 11220 USA

phone: +1 718.567.8181 | fax: +1 718.567.9056 | email: info@altronix.com | www.altronix.com

## Dimensions and Drawing

Dimensions (H x W x D approximate)

13.5" x 13" x 3.25" (342.9mm x 330.2mm x 82.6mm)



### Lifetime Warranty

Altronix Corporation | 140 58th St | Brooklyn, NY 11220 USA

phone: +1 718.567.8181 | fax: +1 718.567.9056 | email: info@altronix.com | www.altronix.com